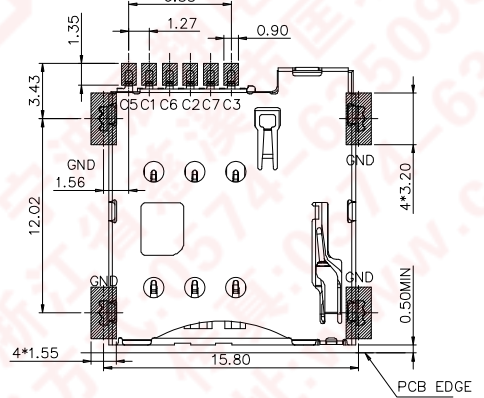
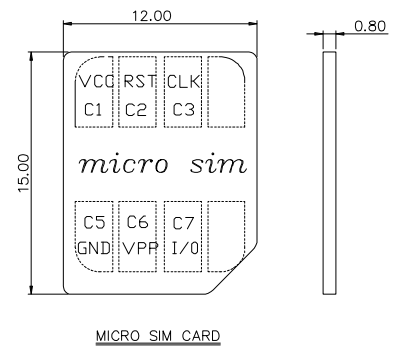
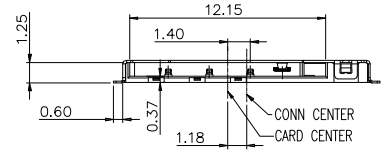
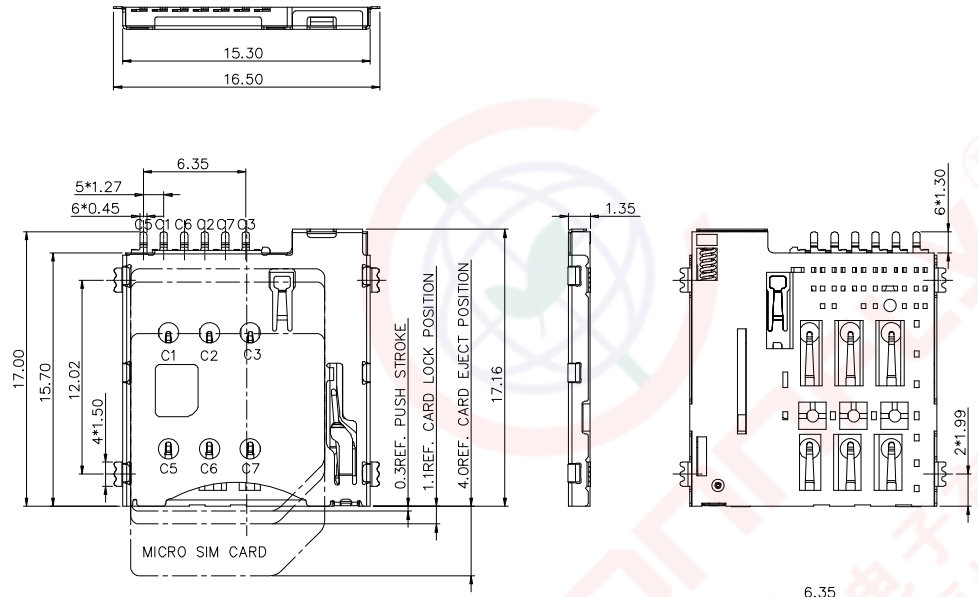


The information provided herein is from CONNELY Electronic Co., Ltd. and is confidential. Any disclosure to a party other than the recipient is prohibited. The intellectual properties and its rights contained herein, including but not limited to, trademarks, patents, copyrights, trade secrets, and technical know-how, are owned exclusively by CONNELY or its affiliates. Unauthorized use of the information herein is strictly prohibited. CONNELY may enforce its intellectual property rights at its own discretion; failures or delays to exercise such rights does not constitute a waiver of such rights.

1	2	3	4	5	6	7	8
REV.	DESCRIPTION	DRAWN	CHECKED	APPROVED			
A	NEW RELEASE	JLZ 12/02/15'					
B	DRAWING UPDATE	JLZ 05/22/19'					



■ SMT SOLDER AREA
 THERE SHOULD NOT BE ANY CIRCUITRIES
 IN THE LAYOUT SPACE OF THE PRODUCTS
 RECOMMENDED PCB LAYOUT
 GENERAL TOLERANCE±0.05

Notes:

- Material:
 - Housing: High Temperature UL 94V-0.
 - Contacts: Copper Alloy. Selective Gold Flash.
 - Shell:Stainless Steel.
- Specifications:
 - Operate Temperature: -40° C~+85° C
 - Insulation Resistance: 1000MΩ Min.
 - Contact Resistance: 50mΩ max.
 - Withstanding Voltage: 500V AC 1min.
 - Voltage Rating: 30V AC/DC
 - Current Rating: 0.5A
- Product Number Code:

DS1138-11 - XX X X X X X

- Packing Type
R: Tape On Reel
- Housing color
B: Black
- Contact Plating
0: Selective gold flash
- Mounting type
S: SMT type
- Connector type
S: Socket
- No. of contacts
06:6pin

GENERAL TOLERANCE		ANGLE TOLERANCE		PROJECTION		TITLE	Micro SIM Card Push Push H=1.35mm 6 Positions SMT Type				
X.	±0.60	X.	±5°	UNITS	mm	SHEET SIZE	A4				
.X	±0.38	.X	±3°	SERIES DS1138-11 SERIES							
.XX	±0.25	.XX	±2°								
DRAWING TYPE		CUSTOMER		晨翔电子有限公司 CONNELY CONNELY ELECTRONIC CO. LTD							
SCALE		1:1						SHEET		1 OF 1	
DRAWING NO.		C-DS1138-11-XXXXXX-B									