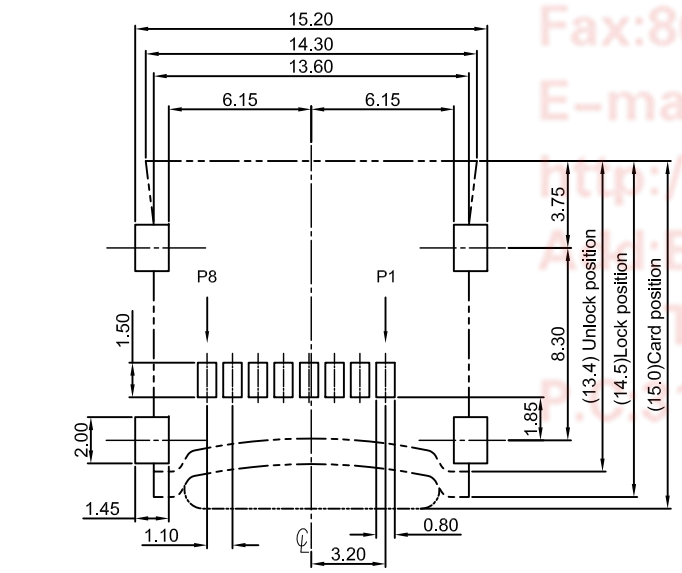
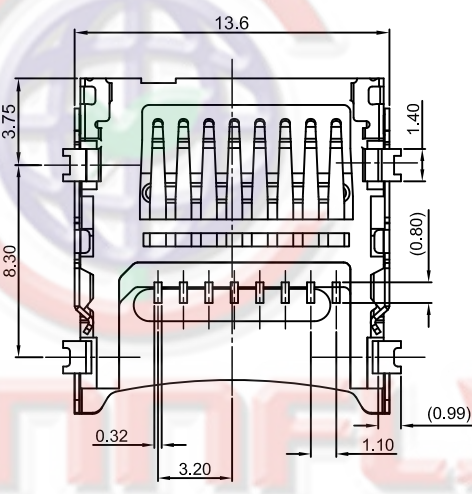
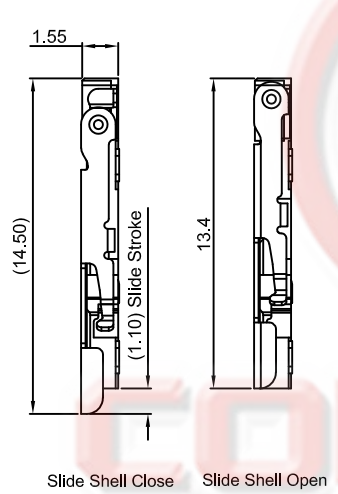
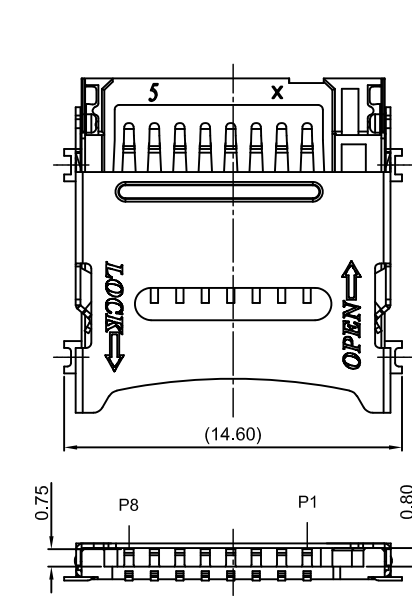


The information provided herein is from CONNELY Electronic Co., Ltd. and is confidential. Any disclosure to a party other than the recipient is prohibited. The intellectual properties and its rights contained herein, including but not limited to, trademarks, patents, copyrights, trade secrets, and technical know-how, are owned exclusively by CONNELY or its affiliates. Unauthorized use of this information in any format or manner. CONNELY may enforce its intellectual property rights at its own discretion; failures or delays in exercising such rights does not constitute a waiver of such rights.

1                      2                      3                      4                      5                      6                      7                      8

Dept	
Qty	
DC	1
ED	1
IE	1
ISO	1
PD	1
R&D	1
SD	1
QA	1
QC	1
QE	1

REV.	DESCRIPTION	DRAWN	CHECKED	APPROVED
A	NEW RELEASE	JLZ 10/10/14'		LJC 10/10/14'
B	DRAWING UPDATE	JLZ 05/03/17'	HZW 05/03/17'	LJC 05/03/17'
C	DRAWING UPDATE	JLZ 11/09/18'	HZW 11/09/18'	LJC 11/09/18'
D	DRAWING UPDATE	JLZ 09/24/19'		



RECOMMENDED PCB LAYOUT  
TOLERANCES: ±0.05

PIN 8	DAT1
PIN 7	DAT0
PIN 6	VSS
PIN 5	GLK
PIN 4	VDD
PIN 3	CMD
PIN 2	CD/DAT3
PIN 1	DAT2
PIN NO.	PIN ASSIGNMENT

Notes:

- Material:
  - Housing: High Temperature, UL94V-0
  - Contacts: Copper Alloy.
  - Stator: Copper Alloy.
  - Shell: Stainless Steel.
- Specifications:
  - Operate Temperature: -20° C~+85° C
  - Insulation Resistance: 100MQ Min.
  - Contact Resistance: 100mΩ max.
  - Withstanding Voltage: 100V AC 1min.
  - Operating Voltage: 30V AC/DC.
  - Current Rating: 0.5A

3.Product Number Code:  
DS1139-04 - XX X X X X X X

- Packing Type  
R: Tape On Reel
- Shell Plating  
S: Stainless
- Housing color  
B: Black
- Contact Plating  
0: Selective gold flash  
4: Selective 3u" gold  
J: Selective 5u" gold  
1: Selective 10u" gold
- Mounting type  
S: SMT type
- Connector type  
S: Socket
- No. of contacts  
08:08pin

Tel:86-574-63508787  
 Fax:86-574-63508787  
 E-mail:sale@connely.com  
 Http://www.connely.com  
 East Ind...  
 Town Cixi Ningbo China  
 15333

GENERAL TOLERANCE		ANGLE TOLERANCE		PROJECTION		TITLE	Micro SD Card H=1.5mm SMT Type
X.	±0.60	X.	±5°	UNITS	mm	SHEET	
.X	±0.38	.X	±3°	SHEET SIZE	A4	SERIES	DS1139-04 SERIES
.XX	±0.25	.XX	±2°	<b>晨翔电子有限公司</b> <b>CONNELY CONNELY ELECTRONIC CO. LTD</b>			
DRAWING TYPE		CUSTOMER					
SCALE		1:1 SHEET 1 OF 1					
DRAWING NO.		C-DS1139-04-XXXXXXX-D					

1                      2                      3                      4                      5                      6                      7                      8