

Dept  
Qty  
DC 1  
ED 1  
IE 1  
ISO 1  
PD 1  
R&D 1  
SD 1  
QA 1  
QC 1  
QE 1

The information provided herein is from CONNELY Electronic Co., Ltd. and is confidential. Any disclosure to a party other than the recipient is prohibited. The intellectual properties and its rights contained herein, including but not limited to, trademarks, patents, copyrights, trade secrets, and technical know-how, are owned exclusively by CONNELY or its affiliates. Unauthorized use of this information in any format or manner. CONNELY may enforce its intellectual property rights at its own discretion; failures or delays to exercise such rights does not constitute a waiver of such rights.

1 2 3 4 5 6 7 8

REV.	DESCRIPTION	DRAWN	CHECKED	APPROVED
A	NEW RELEASE	JLZ 08/02/18'		

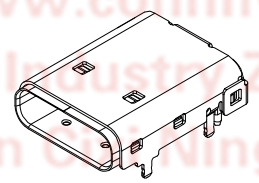
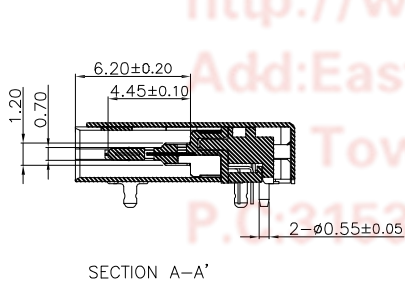
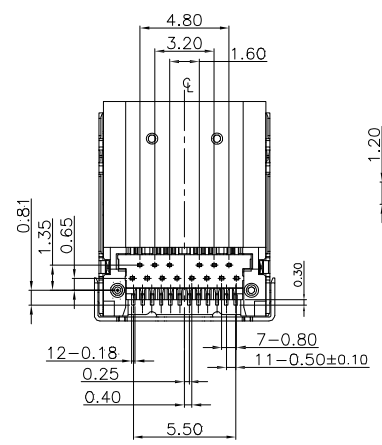
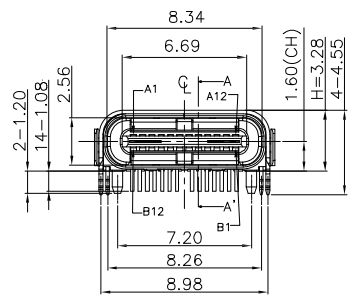
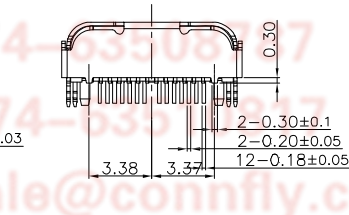
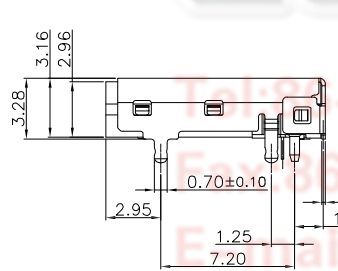
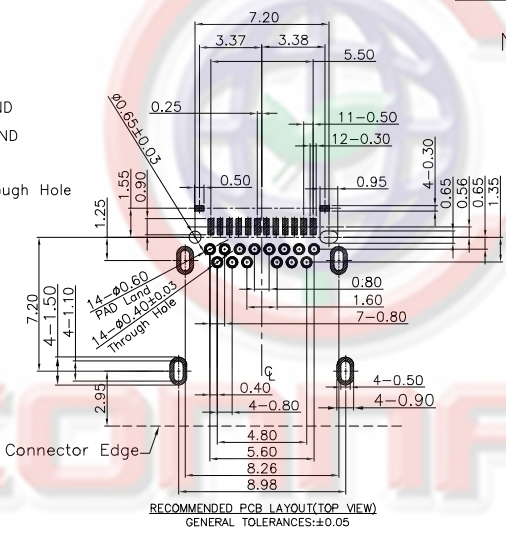
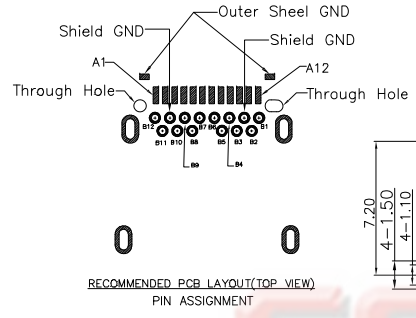
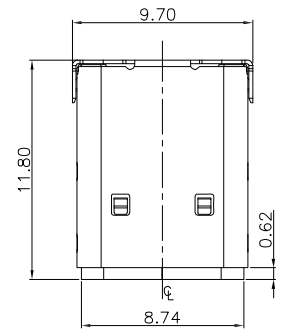
NOTES:

- INSULATOR RESISTANCE: 100MΩ Min. AT 100V DC.
- CURRENT RATING: 5A FOR A4 B4 A9 B9, 1.25A FOR OTHER.
- DIELECTRIC STRENGTH: AC 100V FOR 1 Minute.
- HOUSING: THERMOPLASTIC (UL 94-0).
- CONTACT: COPPER ALLOY
- OUTER SHELL: COPPER ALLOY
- INNER SHELL: STAINLESS STEEL
- PRODUCT NUMBER CODE:

DS1144-01 - X X X X X X X 0

- Packing Type
- T: Tray
- R: Tape On Reel
- Shell Plating
- N: Full Nickel
- Housing color
- B: Black
- Contact Plating
- 3: Selective 30u" gold
- Mounting type
- S: SMT type
- Connector type
- F: Female
- No. of contacts
- 26: 26pin

PIN NUMBER	SIGNAL NAME	PIN NUMBER	SIGNAL NAME
A1	GND	B12	GND
A2	SSTxp1	B11	SSRXp1
A3	SSTxn1	B10	SSRXn1
A4	VBUS	B9	VBUS
A5	CC1	B8	SBU2
A6	D+	B7	D-
A7	D-	B6	D+
A8	SBU1	B5	CC2
A9	VBUS	B4	VBUS
A10	SSRXn2	B3	SSTxn2
A11	SSRXp2	B2	SSTxp2
A12	GND	B1	GND



GENERAL TOLERANCE	ANGLE TOLERANCE
X. ±0.60	X. ±5°
.X ±0.38	.X ±3°
.XX ±0.25	.XX ±2°
DRAWING TYPE	CUSTOMER
SCALE	1:1 SHEET 1 OF 1
DRAWING NO.	C-DS1144-01-XXXXXXX-A

PROJECTION		TITLE	USB3.1 C TYPE FEMALE SMT+DIP TYPE
UNITS	mm	SHEET SIZE	A4
SHEET SIZE	A4	SERIES	DS1144-01 SERIES

晨翔电子有限公司  
CONNFLY CONNELY ELECTRONIC CO. LTD

1 2 3 4 5 6 7 8