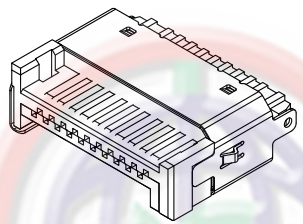
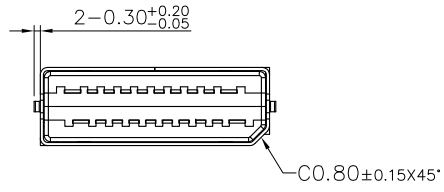


The information provided herein is from CONNELY Electronic Co., Ltd. and is confidential. Any disclosure to a party other than the recipient is prohibited. The intellectual properties and its rights contained herein, including but not limited to, trademarks, patents, copyrights, trade secrets, and technical know-how, are owned exclusively by CONNELY or its affiliates. Unauthorized use of this information in any format or manner, CONNELY may enforce its intellectual property rights at its own discretion; failures or delays to exercise such rights does not constitute a waiver of such rights.

1                      2                      3                      4                      5                      6                      7                      8

Dept	Qty
DC	1
ED	1
IE	1
ISO	1
PD	1
R&D	1
SD	1
QA	1
QC	1
QE	1

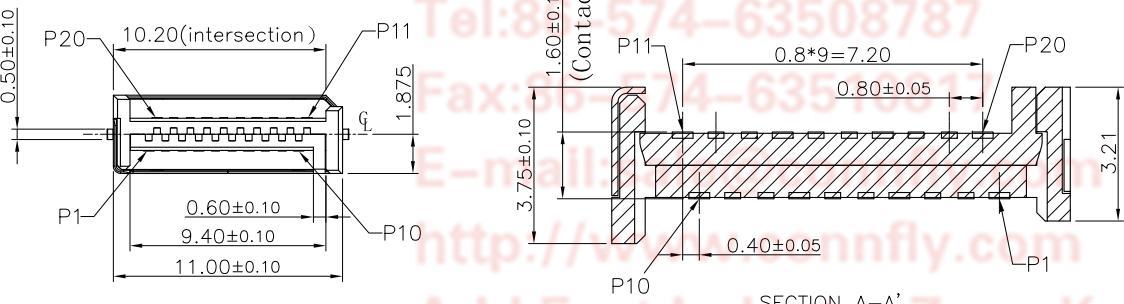
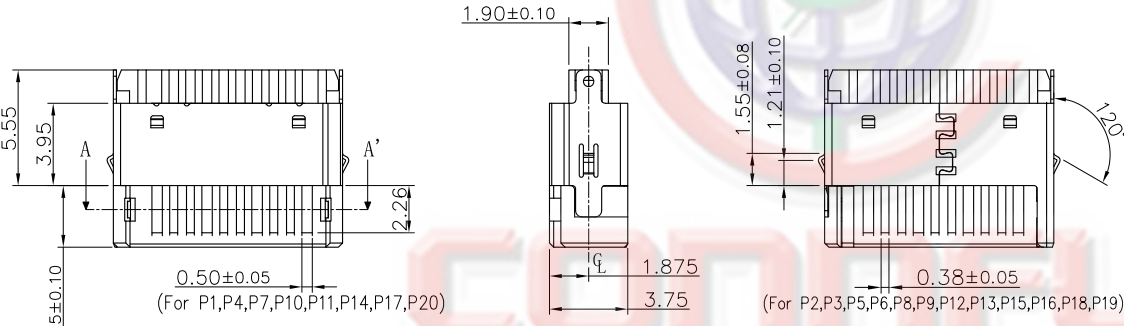
REV.	DESCRIPTION	DRAWN	CHECKED	APPROVED
A	NEW RELEASE	JLZ 08/11/18'		



- NOTES:
- INSULATOR RESISTANCE: 100MΩ Min. AT 100V DC.
  - CURRENT RATING: 3A MAX.
  - DIELECTRIC STRENGTH: AC 100V FOR 1 Minute.
  - HOUSING: THERMOPLASTIC (UL 94-0).
  - CONTACT: COPPER ALLOY
  - OUTER SHELL: COPPER ALLOY
  - INNER SHELL: STAINLESS STEEL
  - PRODUCT NUMBER CODE:

DS1144-05 - X X X X X X X 0

- X — Packing Type
- X — Tray
- X — Shell Plating
- X — N: Full Nicke
- X — Housing color
- X — B: Black
- X — Contact Plating
- X — 3: Selective 30u" gold
- X — Mounting type
- X — W: Solder type
- X — Connector type
- X — M: Male
- X — No. of contacts
- 0 — 20: 20pin



PIN ASSIGNMENT

PIN NUMBER	SIGNAL NAME	PIN NUMBER	SIGNAL NAME
P1	VBUS	P11	VBUS
P2	TX1+	P12	TX2+
P3	TX1-	P13	TX2-
P4	GND	P14	GND
P5	RX1+	P15	RX2+
P6	RX1-	P16	RX2-
P7	VBUS	P17	GND
P8	CC	P18	D-
P9	SBU1	P19	D+
P10	SBU2	P20	VCONN

SECTION A-A  
Scale 2:1

GENERAL TOLERANCE	ANGLE TOLERANCE
X. ±0.60	X. ±5°
.X ±0.38	.X ±3°
.XX ±0.25	.XX ±2°

PROJECTION		TITLE	USB3.1 Internal 20P Plug Solder Type
UNITS	mm	SHEET SIZE	A4
SHEET SIZE	A4	SERIES	DS1144-05 SERIES

DRAWING TYPE	CUSTOMER
SCALE	1:1 SHEET 1 OF 1
DRAWING NO.	C-DS1144-05-XXXXXXX-A

晨翔电子有限公司  
CONNELY CONNELY ELECTRONIC CO. LTD

Tel: 86-574-63508787  
 Fax: 86-574-63513311  
 E-mail: connely@connely.com  
 http://www.connely.com  
 Add: East Industry Zone KuangYan  
 Town Cixi Ningbo China  
 P.C: 315333

1                      2                      3                      4                      5                      6                      7                      8