

REV.	DESCRIPTION	DRAWN	CHECKED	APPROVED
A	NEW RELEASE	Andy_H 12/10/16'		LJC 12/10/16'

TABLE A:

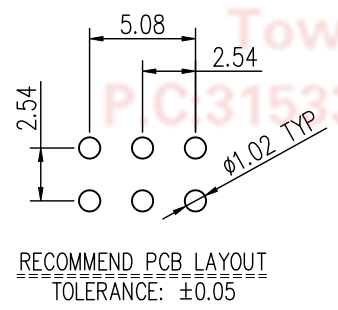
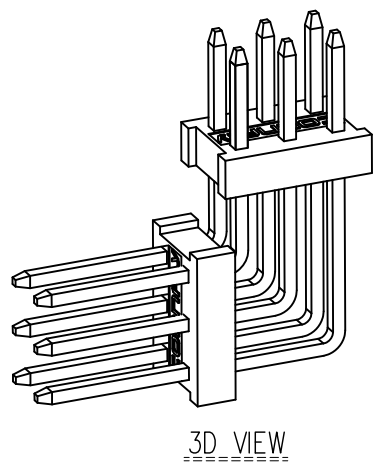
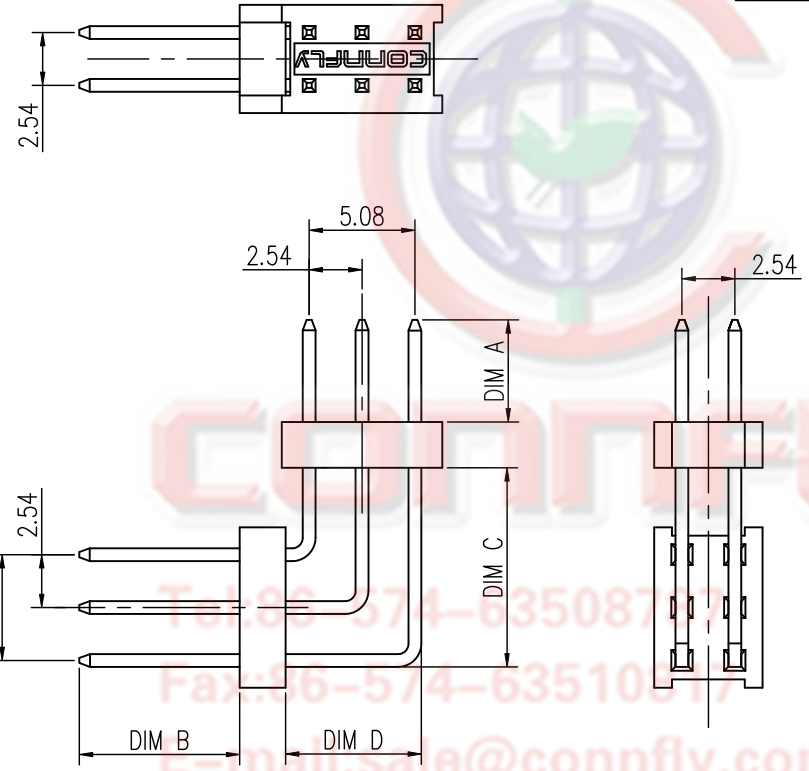
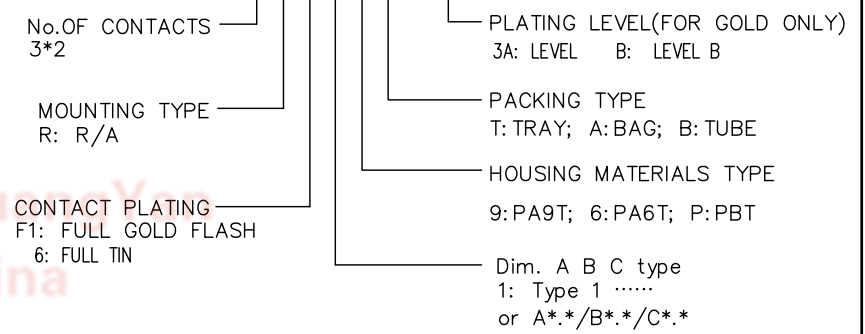
TYPE	Dimension				Pin Length (mm)
	A	B	C	D	
1	4.90	7.70	9.56	6.52	Short: 21.8 Middle: 26.9 Long: 32.0

NOTES:

- MATERIALS
 - CONTACT MATERIAL: COPPER ALLOY.
 - INSULATOR: PBT/PA6T/PA9T, UL94 V-0.
- SPECIFICATIONS
 - CURRENT RATING: 3A.
 - OPERATING TEMPERATURE: -40°C TO +105°C.
 - INSULATION RESISTANCE: 1000MΩ MIN.
 - CONTACT RESISTANCE: 30mΩ MAX.
 - DIELECTRIC WITHSTANDING: 600 VAC.

3. PRODUCT NUMBER CODE:

DS1148-03- X X X X X X - X



GENERAL TOLERANCE	ANGLE TOLERANCE	PROJECTION	TITLE
X. ±0.60	X. ±3°	UNITS mm	2.54mm PIN HEADER R/A TYPE 3*2PIN
.X ±0.38	.X ±2°	SHEET SIZE A4	SERIES DS1148-03 SERIES
.XX ±0.25	.XX ±1°		
DRAWING TYPE	COMPONENTS		
SCALE 1:1	SHEET	1 OF 1	
DRAWING NO.	C-DS1148-03-XXXXXX-X-A		

晨翔电子有限公司
CONNFLY CONNFLY ELECTRONIC CO. LTD